

All rights reserved by **CNHi**.

The information contained in this catalogue is intended to be of a general nature only. **CNHi** may at any time and from time to time, for technical or other necessary reasons, modify any of the details or specifications of the product described in this catalogue.

To be sure of getting accurate, detailed and up-to-date information, an intending buyer should consult his nearest **CNHi** dealer or distributor.

Single item numeration method used in this catalogue may not be used without written consent from **CNHi**.

**Thanks very much for your reading,
Want to get more information,
Please click here, Then get the complete
manual**

JustClickHere 

NOTE:

**If there is no response to click on the link above,
please download the PDF document first, and then
click on it.**

**Have any questions please write to me:
admin@servicemanualperfect.com**

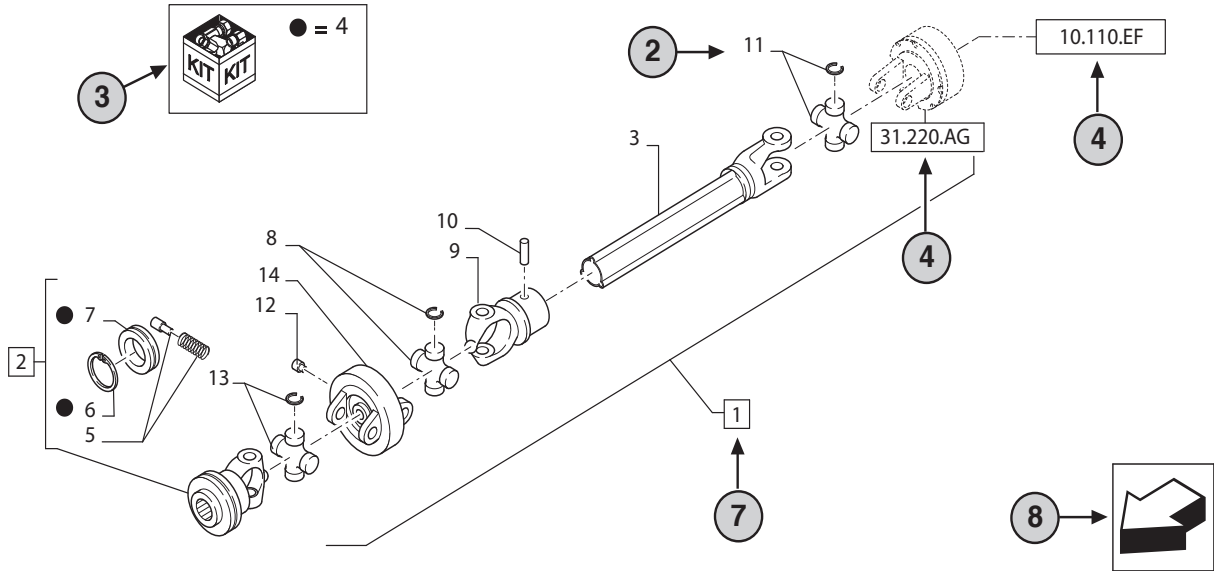
31.220.AD

01

p1

10/2014

VAR - 123782, 789101,987654 - PTO - D650



STANDARD ← (6)

(23)

(9)

(10)

31.220.AD

01

p1

10/2014

VAR - 123782, 789101,987654 - PTO - D650

(11)

(12)

(13)

(14)

REF	FN	PART NUMBER	YR/SN	QTY	DESCRIPTION
1	1	86529340	(20)	1	SHAFT PTO, Incl 2 - 11
2	(15)	84014007		1	YOKE, Incl 4 -7 ← (7)
3	(16)	NSS		1	NOT SERVICED SEPARATELY, SHAFT, 350mm, Incl in 1
4		84004292		1	KIT, Seal Kit, Incl 6, 7 (17)
4		{84058743}		1	KIT, Seal Kit, Incl 6, 7
(2)	(18)	(19)	(21)	(22)	
		1 = FOR ITALY ONLY ← (5)			

MODELS ← (1)


- 1 Model Number and Model Description
- 2 Reference - Figure call-out of the part number.
- 3 Parts supplied in repair kits per symbol reference.
- 4 31.220.AD Part illustrated on the **Page** or in the **Figure** indicated, or calls for **Variations** or **Details**. Indicates components shown in detail elsewhere in the catalogue under the figure number shown.
- 5 Footnote references
- 6 Figure notes
- 7 1 2 Includes item(s) (See Description within partlist).
- 8 Orientation. (Arrow indicates front of the machine). 
- 9 Figure description.
- 10 General information of the figure.
- 11 Figure title number that aligns with the SRT. Standard Repair Time.
- 12 **Sequence** code within the assembly.
- 13 Page number within the sequence code.
- 14 **Date** of printing or updating of page (month-year).
- 15 **Note** - Relating to the Part Number. There is a key to symbols and abbreviations at the bottom of the text page.
- 16 Non-serviced parts.
- 17 Further description of the part to help confirm identification.
- 18 Not available as service part.
- 19 Part Number.
- 20 To be defined.
- 21 Total **Quantity** of the Part referred to in the page.
The quantity can be replaced by the following indications:
AR = quantity as requested.
- 22 Part **Description**.
- 23 Variant Codes

TABLE OF CONTENTS

00.05		FILTERS & CAPACITIES
05.100.03	01	FILTERS & CAPACITIES, BOMMER 8N 50 HP
05.100.03	02	FILTER & CAPACITIES, BOOMER 8N
01.01		CYLINDER BLOCK
01.02		CAMSHAFT
01.03		CYLINDER HEAD
01.04		HEAD COVER
01.05		ROCKER ARM
01.06		CRANKSHAFT & PISTONS
01.07		TIMING GEAR CASE
01.08		OIL PUMP, WATER PUMP & FAN
01.15		ALTERNATOR ASSEMBLY
01.16		STARTING MOTOR
01.17		BALANCER
01.18.01		FUEL INJECTION PUMP & LINES
01.18.02		FUEL INJECTOR
02.01		RADIATOR
02.03		FUEL TANK
02.04		AIR CLEANER
02.05		OIL COOLER
02.05.01		OIL COOLER BYPASS VALVE & TUBES
02.06		AIR CLEANER BRACKET
02.06		FUEL SYSTEM & FUEL FILTER
02.07		FOOT THROTTLE/PEDAL
02.07.01		HAND THROTTLE ASSEMBLY
02.08		EXHAUST SYSTEM
02.08.01		CHROME TAIL PIPE KIT
02.10		ENGINE BUCKLEUP
03.01		COMPLETE TRANSMISSION
03.01.01		COMPLETE TRANSMISSION EXTERNAL PIPING
03.02		REAR HOUSING ASSEMBLY
03.03		REAR HOUSING ASSEMBLY
03.04		REAR PTO HYDRAULIC BLOCK
03.05		REAR HOUSING ASSEMBLY
03.06		INTERMEDIATE PLATE ASSEMBLY
03.07		REAR COVER ASSEMBLY W/MID PTO TRANSMISSION

TABLE OF CONTENTS

03.07.01	REAR COVER ASSEMBLY W/MID PTO TRANSMISSION
03.07.02	REAR COVER ASSEMBLY W/O MID PTO TRANSMISSION
03.08	MID PTO
03.09	FWD SHAFT & MID PTO SHAFT
03.09.01	FWD SHAFT
03.10	FWD & MID PTO ENGAGEMENT
03.10.01	FWD ENGAGEMENT
03.11	TRANSMISSION DISENGAGEMENT
03.12	PLANETARY GEAR
03.13	PLANETARY GEAR SET
03.14	PLANETARY CARRIER
03.15	SECONDARY PULLEY OUTPUT SHAFT
03.16	PTO DRIVING SET
03.17	REAR PTO CLUTCH
03.18	BEVEL GEAR SET
03.19	DIFFERENTIAL
03.20	DIFFERENTIAL LOCK
03.21	LH FINAL REDUCTION HOUSING
03.21.01	LH FINAL REDUCTION HOUSING - USED ON & ABOVE PIN # Z9D8N0734
03.22	RH FINAL REDUCTION HOUSING
03.22.01	RH FINAL REDUCTION HOUSING - USED ON & ABOVE PIN # Z9D8N0734
03.23	FRONT HOUSING
03.24	SHUTTLE CLUTCH
03.25	FRONT HOUSING
03.27	HPL HOUSING ASSEMBLY
03.28	CYLINDER ASSEMBLY
03.29	INTERNAL LEVERS
03.30	TOP LINK BRACKET
03.31	CONTROL LEVERS
03.32	CONTROL VALVE
03.50	PTO CONTROL GROUP
03.50.01	PTO SELECTOR KNOB
03.51	DIFFERENTIAL LOCK LINKAGE
03.52	HPL LINKAGE
03.53	PARKING BRAKE
03.54	SINGLE PEDAL BRAKE

TABLE OF CONTENTS

03.55		DUAL PEDAL BRAKE KIT
03.56		TRANSMISSION IMMERSION HEATER - 87537603
03.59		KIT CL3 HST NOISE REDUCTION
04.01		STEERING COLUMN
04.01.01		POWER STEERING MOTOR
04.02		FRONT AXLE, FWD
04.05		FRONT AXLE & STEERING W/FWD
04.05.01		POWER STEERING CYLINDER ASSEMBLY, W/FWD
04.09		POWER STEERING PUMP ASSEMBLY
04.10		POWER STEERING TUBES
04.11		FRONT DIFFERENTIAL GEARS W/FWD
04.12		FINAL REDUCTION GEARS, W/FWD
06.01		WIRE HARNESSSES
06.02		ELECTRICAL CONTROL SYSTEM GROUP
06.03		ELECTRICAL CONTROLLER GROUP
06.04		FUSES
06.09		BATTERY & BATTERY PLATE
06.11		INSTRUMENT PANEL
06.12		WARNING LIGHTS
06.15		CANOPY WORK LIGHT KIT - 84184633
06.16		WORK LIGHT MOUNT KIT
06.18		HORN
06.18	01	HORN, UPDATED 7/2009
07.01		HYDRAULIC PRESSURE FILTER & TUBING
07.02		HYDRAULIC SUCTION FILTER & TUBING
07.03		HYDRAULIC OIL PRESSURE SYSTEM
07.04		HYDRAULIC OIL PUMP
07.06		3 POSITION SELF CENTERING VALVE - 710366216
07.07		4 POSITION FLOAT & DETENT VALVE - DIA KIT, P/N 719940056
07.08		REAR REMOTE #1 COMPLETING KIT - 719933036
07.09		REAR REMOTE #2 COMPLETING KIT - 719935036
07.10		REAR REMOTE #3 COMPLETING KIT - 719937026
07.15		TWO FUNCTION MID-MOUNT HYDRAULIC VALVE KIT - 717653006
07.16		MID-MOUNT HYDRAULIC CONTROL VALVE - 87571203
08.01		FENDERS
08.01.01		DELUXE TOOLBOX

TABLE OF CONTENTS

08.02		DECALS
08.02.01		DECALS
08.03		FIREWALL
08.03	01	FIREWALL, UPDATED
08.04		SMV MOUNTING
08.05		HOOD
08.05	01	HOOD, UPDATED 5/2009
08.06		HEADLAMP
08.06.01		KIT, CHROME HEADLIGHT
08.06.02		KIT, CHROME BEZEL
08.07		ENGINE SIDE COVER
08.08		UPPER REAR HOOD
08.09		LOWER REAR HOOD
08.10		PTO SHIELD
08.11		3 POINT HITCH & HARDWARE
08.12		DRAWBAR
08.13		RED GRILLE GUARD KIT
08.14		CHROME GRILLE GUARD KIT
08.15		DIAMOND TREAD PLATE KIT
08.16		DELUXE FENDER HAND RAIL - 84178922
08.17		DELUXE & STANDARD KNOBS
08.19		ROPS, BLACK
08.20		ROPS, CHROME
08.21		FENDER HANDLE RAILS, FENDER SUPPORT BRACKETS & TAIL LIGHT MOUNT BRACKET
08.22		FLOOR MATS
10.01		RED SIDE STEPS & CHROME STEPS, RIGHT & LEFT - 84178927
10.02		POD TOPS
10.03		SEAT
10.06		PLATFORM
10.06.01		PLATFORM
10.22		TIE DOWN
11.01		FRONT WHEELS
11.02		REAR WHEELS
11.03		FRONT END WHEEL WEIGHTS - 710215016 & 718215036,WEIGHT CARRIER - 718233006 & WEIGHT ADAPTER BRACKET SUPERSTEER - 719233056
11.04		REAR WHEEL WEIGHTS, 105 LBS AG BAR & INDUSTRIAL WHEELS ONLY - 710470026
11.07		REAR COUNTERWEIGHT BRACKET - 718740016

TABLE OF CONTENTS

11.08

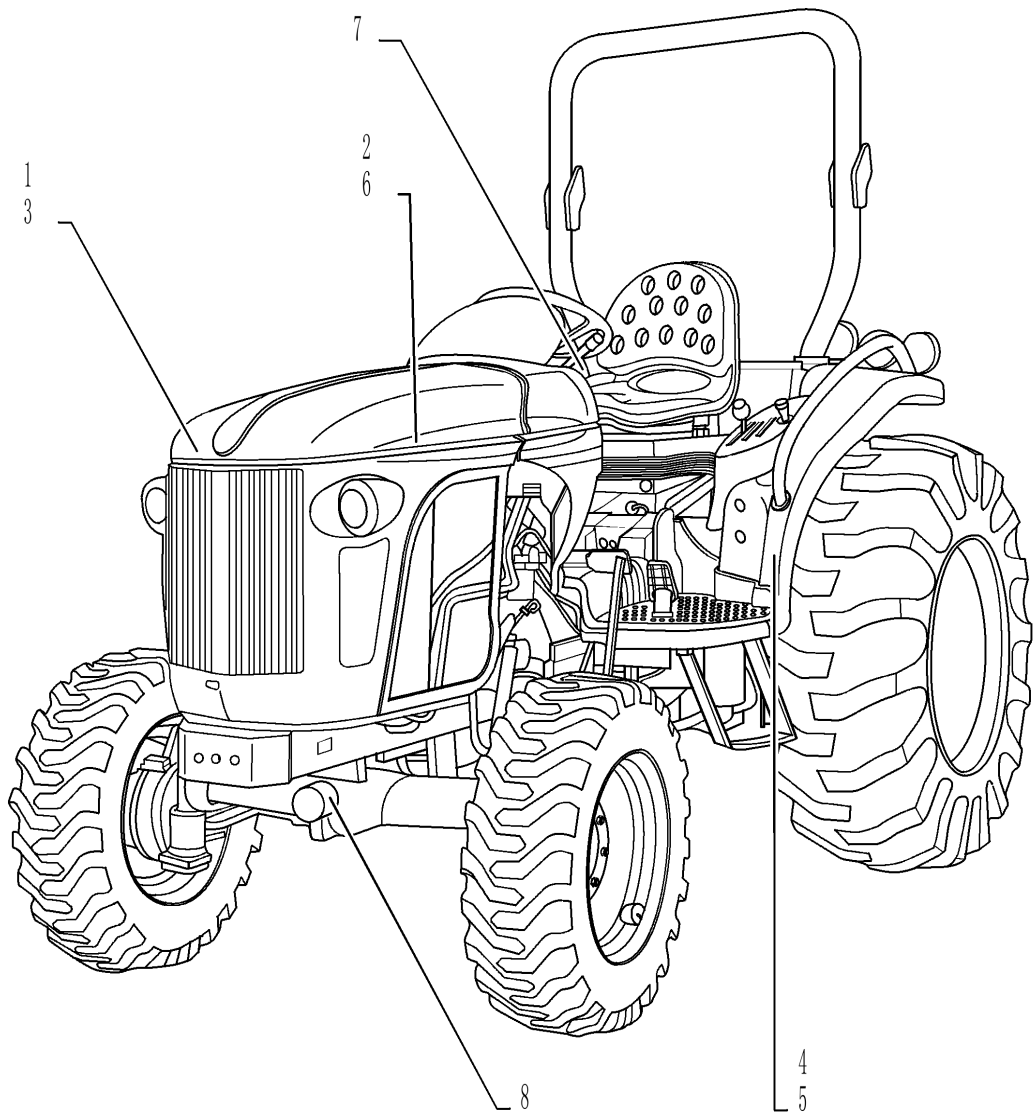
BALLASTING BOX - 1000 LBS MAX - 717747006

SECTION INDEX

GENERAL

00.05		FILTERS & CAPACITIES
05.100.03	01	FILTERS & CAPACITIES, BOMMER 8N 50 HP
05.100.03	02	FILTER & CAPACITIES, BOOMER 8N

FILTERS & CAPACITIES

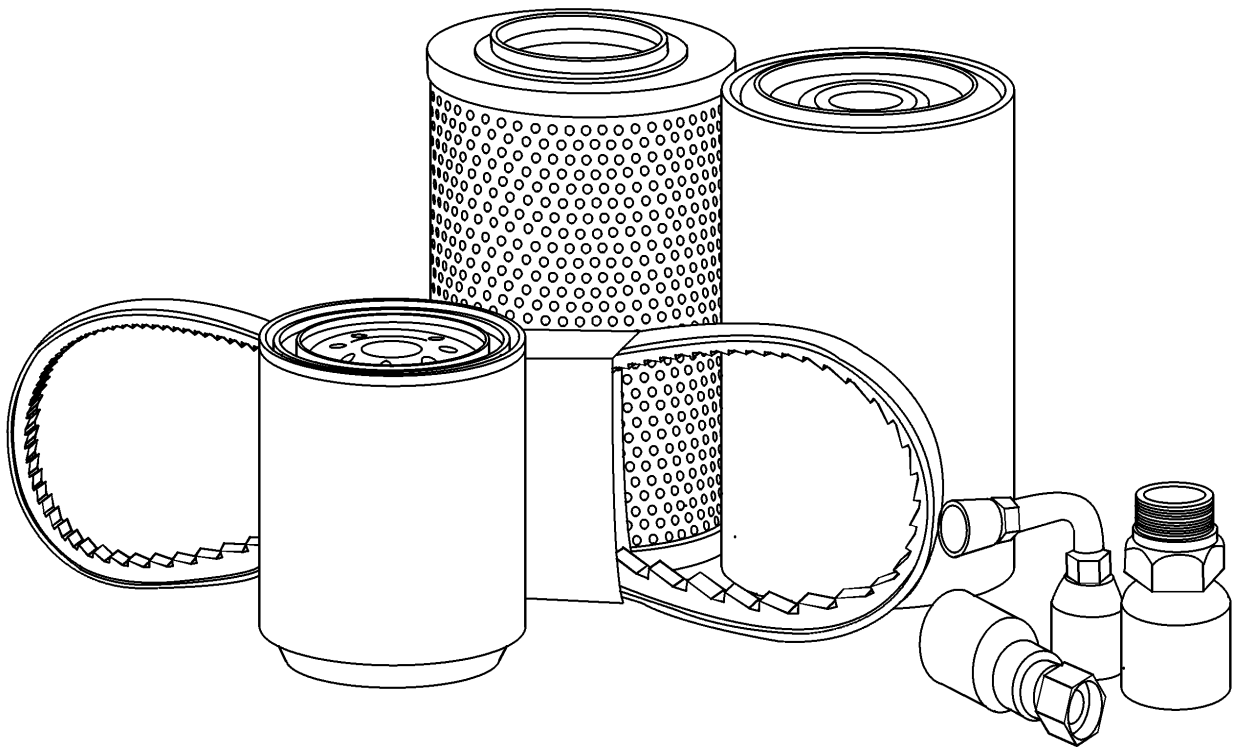


FILTERS & CAPACITIES

REF FN	PART NUMBER	YR/SN	QTY DESCRIPTION
1	{}		Cooling System Capacity, 9.0 Liters (9.6 Quarts)
	{}		Coolant Type, ESE-M97B18-D Ethylene Glycol Coolant Concentrate (50/50 mix with water)
2	87415600		1 ENGINE OIL FILTER ENGINE OIL FILTER
2	SBA110666060		1 FILTER SCREEN ENGINE OIL FILTER, Screen
2	{}		Engine Oil Capacity With Filter Change, 6.0 Liters (6.3 Quarts)
	{}		Engine Oil Type, NH Ambra Mastergold HSP 10W-30
3	87300178		1 AIR FILTER ENGINE AIR FILTER, Outer, Primary
3	87300180		1 AIR FILTER ENGINE AIR FILTER, Inner, Secondary
4	87673831		1 HYDRAULIC OIL FILTER HYDRAULIC OIL FILTER
4	87673833		1 HYDRAULIC OIL FILTER HYDRAULIC OIL FILTER, Suction
4	87481356		1 FILTER HYDRAULIC OIL FILTER, G-Rotor Pump
4	{}		Hydraulic Oil Capacity, includes Rear Axle and CVT Transmission, 35.2 Liters (9.3 Gallons)
	{}		Hydraulic Oil Type, NH Ambra Multi G 134
5	1 {}		Hydraulic Power Steering Oil Capacity, 1.4 Liters (1.5 Quarts)
6	SBA360700220		1 FUEL FILTER FUEL FILTER
6	87300041		1 ELEMENT FUEL FILTER, Element
7	{}		Fuel Tank Capacity, 49.2 Liters (13 Gallons), No. 2 Diesel
8	2 {}		Front Axle Differential Oil Capacity, includes Final Reduction Gear, 5.3 Liters (5.6 Quarts)
(1)	Hydraulic Power Steering Oil Type, NH Ambra Multi G 134		
(2)	Front Axle Differential Oil Type, NH Ambra Multi G 134		

BOOMER 8N-COMPACT TRACTOR

FILTERS & CAPACITIES, BOMMER 8N 50 HP



Verified by Parts Engineering

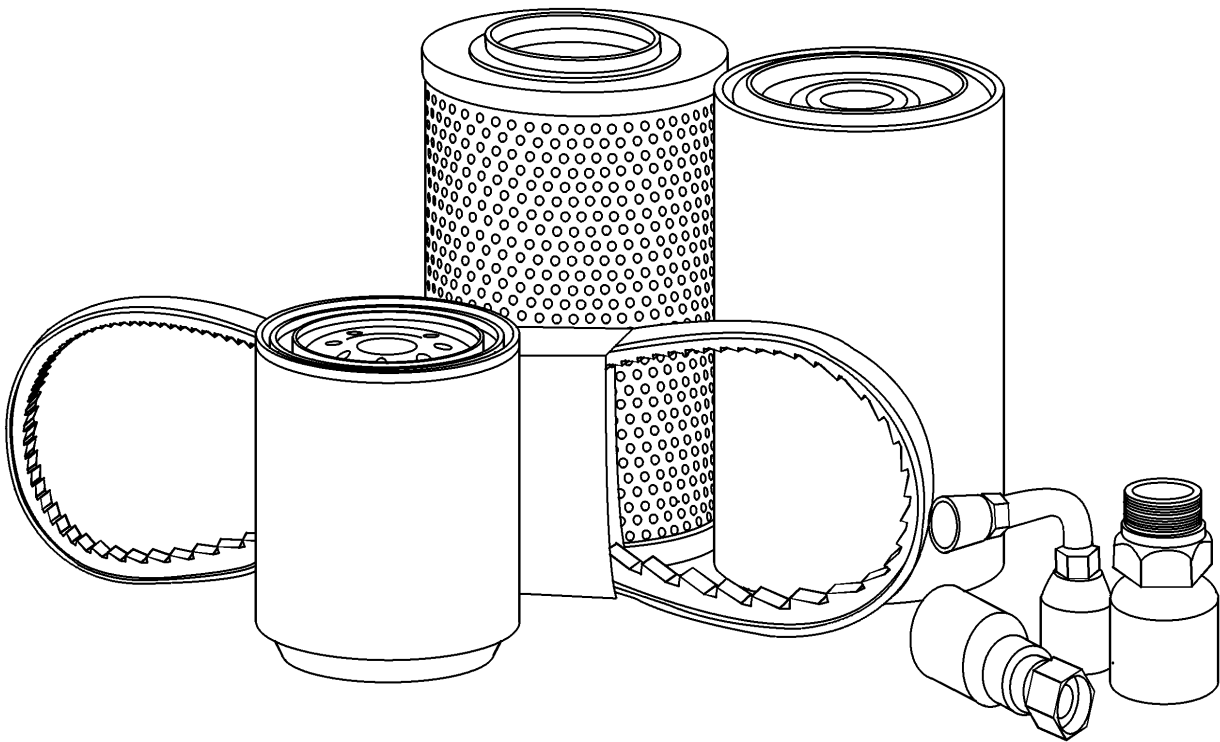


FILTERS & CAPACITIES, BOMMER 8N 50 HP

REF FN	PART NUMBER	YR/SN	QTY DESCRIPTION
1	84475542		1 ENGINE OIL FILTER Engine Oil Filter
2	87682998		1 AIR FILTER Primary
3	84539215		1 AIR FILTER Secondary
4	84476007		1 HYDRAULIC OIL FILTER Suction Filter System, Spin On
5	84476005		1 HYDRAULIC OIL FILTER Pressue Filter System, Spin On
6	87481356		1 FILTER INTERNAL SUCTION FILTER FOR TRANSMISSION REAR HOUSING ASSEMBLY
7	84477366		1 ELEMENT Element

BOOMER 8N-COMPACT TRACTOR

FILTER & CAPACITIES, BOOMER 8N



05.100.03

02

p1

5/2018

FILTER & CAPACITIES, BOOMER 8N

REF FN	PART NUMBER	YR/SN	QTY DESCRIPTION
*	NO. 1 SAE 10W30		OIL Engine, 1.35-Gal
*	MULTI G 134		OIL Transmission, 9.3-Gal
*	NO. 1 SAE 10W30		OIL Safety Air Filter, 0.87-Gal
*	MULTI G 134		OIL Front Axle Oil, 0.52-Gal
*	NO. 1 SAE 10W30		OIL G-Rotor Pump Inner Filter, 0.87-Gal
*	ZRG012WGC		GREASE Chassis Lube, NLGI #2 White Lithium, As Required

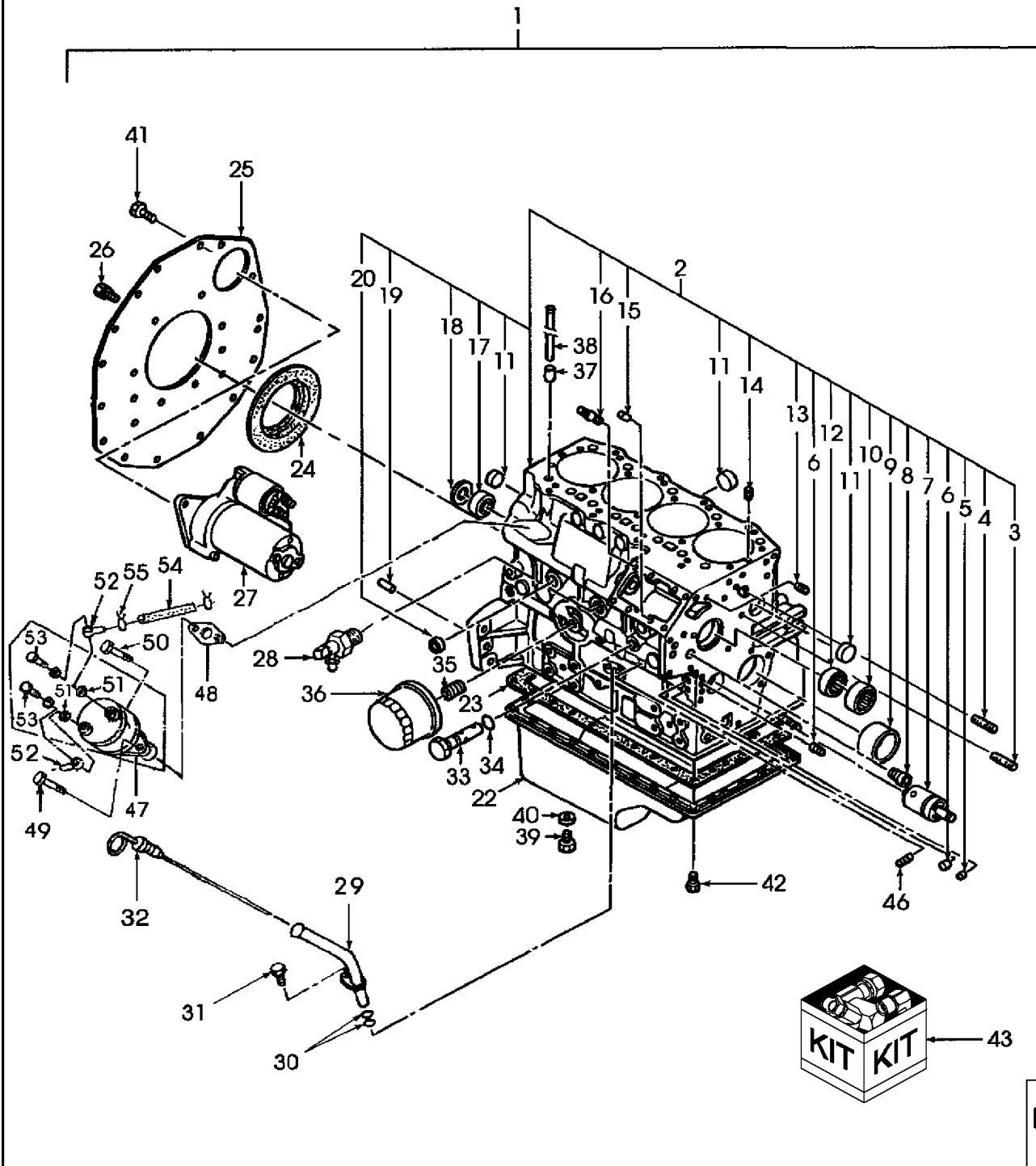
BOOMER 8N-COMPACT TRACTOR

SECTION INDEX

ENGINE

01.01	CYLINDER BLOCK
01.02	CAMSHAFT
01.03	CYLINDER HEAD
01.04	HEAD COVER
01.05	ROCKER ARM
01.06	CRANKSHAFT & PISTONS
01.07	TIMING GEAR CASE
01.08	OIL PUMP, WATER PUMP & FAN
01.15	ALTERNATOR ASSEMBLY
01.16	STARTING MOTOR
01.17	BALANCER
01.18.01	FUEL INJECTION PUMP & LINES
01.18.02	FUEL INJECTOR

CYLINDER BLOCK



Complete engines are typically not available. Recommendation is to order the Long Block through PAL. Long Blocks as listed in PAL are complete engines less the starter, belts, alternator, flywheel.

CYLINDER BLOCK

REF FN	PART NUMBER	YR/SN	QTY DESCRIPTION
1	1	SBA133724	1 ENGINE Block, Long, Includes: 2-26,28-40,42,46,48,49 & 50
2		SBA110101760	1 CYLINDER BLOCK Block, Cylinder
3		SBA012110660	1 STUD
4		SBA012110635	1 STUD
5		SBA198466010	3 PLUG Blank 8.4mm
6		SBA198466020	4 PLUG Blank 10.4mm
7		SBA165296260	1 SHAFT Idler Gear, Includes Shaft SBA140196072
9		SBA198517222	1 BUSHING Standard
9		SBA198517226	1 BUSHING U/S, 0.10" or 0.25 mm
9		SBA198517229	1 BUSHING U/S, 0.20" or 0.50 mm
10		SBA042309018	1 NEEDLE BEARING
11		SBA064210040	5 CAP 40mm
12		SBA042309017	1 NEEDLE BEARING
13		SBA030500616	2 DOWEL M6 x 16
14		SBA030309005	2 PIN Spring
15		SBA030500612	2 DOWEL
16		SBA012110820	3 STUD
17		SBA040106203	1 BALL BEARING 17mm ID x 40mm OD x 12mm W
18		SBA064100045	1 PLUG Expansion
19		SBA030501025	2 BALL STUD M10 x 25 L BALL PIN
20		SBA064210025	2 PLUG 25mm
22		SBA110701180	1 ENGINE OIL PAN
23		SBA110996860	1 GASKET
24		SBA050209083	1 SEAL
25		SBA110361210	1 PLATE Rear
26		SBA011510820	10 CAPTIVE WASHER SCREW Hex, M8 x 20, G5
27	2	SBA185086530	1 STARTER MOTOR Refer to Fig. 01.11 for Breakdown
27		SBA185086530R	1 REMAN-STARTER BOOMER 8N -- 11 Tooth Drive
27		SBA185086530C	1 CORE-STARTER Return Number
27		SBA185086530GV	1 STARTER MOTOR Value
28		SBA198736270	1 DRAINCOCK/TAP SUPPLY

(1) Alternator & Starter Not Included

(2) Not Included in Long Block

BOOMER 8N-COMPACT TRACTOR